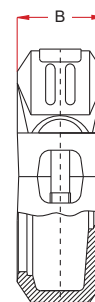
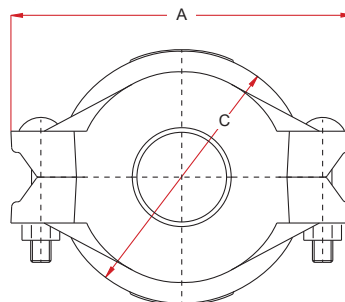




RACCORDS / Style 71 (RACCORD RÉDUIT)



Raccord réduit

Pression de service max: 35 bar.

Contactez Modgal pour les informations sur la pression de service pour la protection incendie.

Diamètre nominal (Pouce / DN)	Diamètre extérieur du tuyau	Dimensions des Raccords			Boulons			Charge Maximale en Newton †	Ecart tolérés en bout de tube en mm	Déviation max. (à partir de l'axe)		Poids Kg.	Certifications
		A	B	C	No.	Dimension x Longueur	Degrés par Raccord			Cm pour 6 mtr. tuyau			
2" x 1½" / 50 x 40	60.3 x 48.3	125.0	46.0	91.0	2	M10	57.0	6318	0-3.2	3°25'	35.7	0.95	FM / UL / VDS
2½" x 2" / 60 x 50	76.1 x 60.3	143.0	46.0	105.0	2	M10	x 57.0	9847	0-3.2	2°23'	26.5	1.20	FM / UL / VDS
3" x 2" / 80 x 50	88.9 x 60.3	161.0	46.0	120.0	2	M12	x 76.0	9847	0-3.2	1°05'	11.3	1.70	FM / UL / VDS
3" x 2½" / 80 x 65	88.9 x 76.1	161.0	46.0	121.0	2	M12	x 76.0	15725	0-3.2	1°05'	11.3	1.50	FM / UL / VDS
4" x 2" / 100 x 50	114.3 x 60.3	198.0	50.0	149.0	2	M12	x 76.0	9847	0-6.4	3°23'	35.4	2.70	FM / UL / VDS
4" x 2½" / 100 x 65	114.3 x 76.1	198.0	50.0	149.0	2	M12	x 76.0	15725	0-6.4	2°23'	26.5	2.50	FM / UL / VDS
4" x 3" / 100 x 80	114.3 x 88.9	198.0	50.0	149.0	2	M12	x 76.0	21404	0-6.4	1°05'	11.3	2.40	FM / UL / VDS
5" x 4" / 125 x 100	139.7 x 114.3	245.0	52.0	179.0	2	M16	x 89.0	35382	0-6.4	2°45'	28.8	3.70	FM
6" OD x 3"	165.1 x 88.9	275.0	52.0	207.0	2	M16	x 89.0	21404	0-6.4	1°05'	11.3	5.50	FM
6" OD x 4"	165.1 x 114.3	275.0	52.0	207.0	2	M16	x 89.0	35382	0-6.4	2°12'	23.5	5.40	FM
6" x 3" / 150 x 80	168.3 x 88.9	275.0	52.0	207.0	2	M16	x 89.0	21404	0-6.4	1°05'	11.3	5.30	FM / UL / VDS
6" x 4" / 150 x 100	168.3 x 114.3	275.0	52.0	207.0	2	M16	x 89.0	35382	0-6.4	1°10'	12.5	4.40	FM / UL / VDS
8" x 6" OD	219.1 x 165.1	344.0	60.0	268.0	2	M20	x 120.0	73822	0-6.4	1°41'	17.6	8.80	FM
8" x 6" / 200 x 150	219.1 x 168.3	344.0	60.0	268.0	2	M20	x 120.0	76711	0-6.4	1°10'	12.5	8.70	FM

